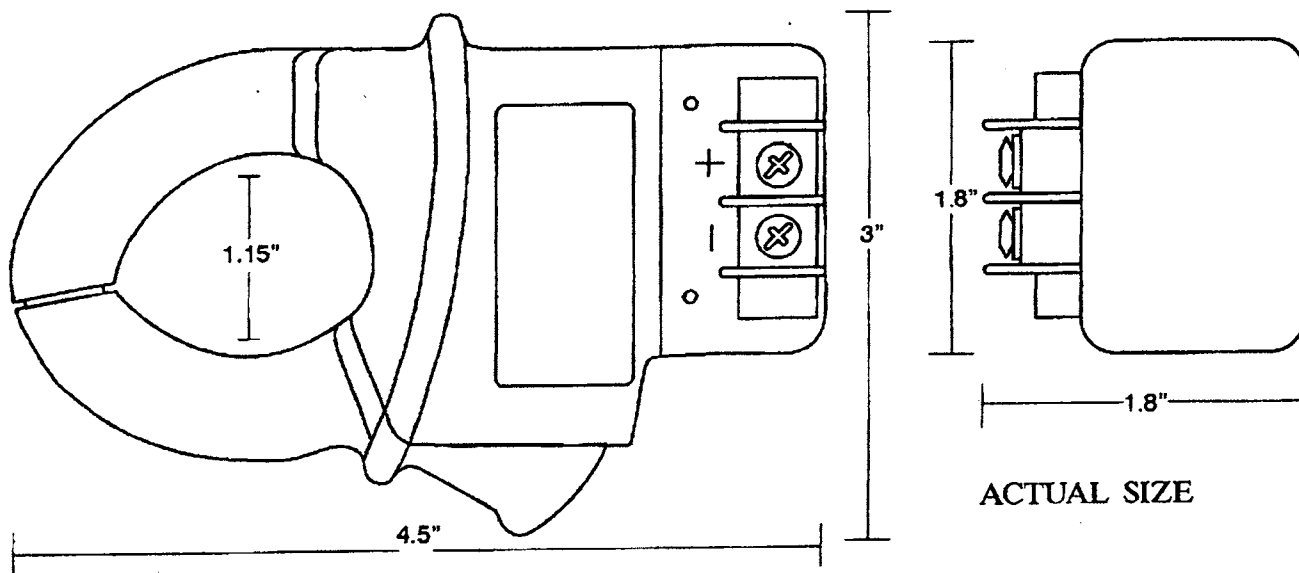


# A. C. CURRENT SENSOR

## ISOLATED TWO-WIRE TRANSMITTER

### SPECIFICATIONS

# MODEL CL



**STANDARD CURRENT RANGES**  
A.C. AMPS, RMS

0 - 100    0 - 200    0 - 300

Any range from 0 up to 300A available

**SUPPLY VOLTAGE**

5 to 40 VDC

**SIGNAL OUT**

4 - 20 mA

**FREQUENCY**

Nominal 50/60 Hz

**WEIGHT**

5 OZ.

### PERFORMANCE SPECIFICATION

ACCURACY (standard ranges).....	1.7%
REPEATABILITY.....	0.25% Full Scale
RESPONSE TIME.....	150 Milliseconds Max
TEMP. RANGE.....	0 TO 45 deg.C.°
TEMP. COEFFICIENT.....	< 18 C° or > 28 C° .....0.04% F.S. / C.°
ISOLATION.....	Input/Output/Case
INSULATION RESISTANCE.....	100 Meg. Ohm Min. @ 500 VDC Between Output and Case
CONDUCTOR CABLE VOLTAGE.....	600 Volts (Insulated Cable)
MAXIMUM CONDUCTOR SIZE.....	1.15"

## RILEY CORPORATION SALES, INC

1060 Witte Road , Houston ,Texas 77055

Tel.:(713)464-7446(24HRS.) • 1-800-545-5915 • Fax: (713)646-7452

Email: [wriley@rilsen.com](mailto:wriley@rilsen.com)    <http://www.rilsen.com>